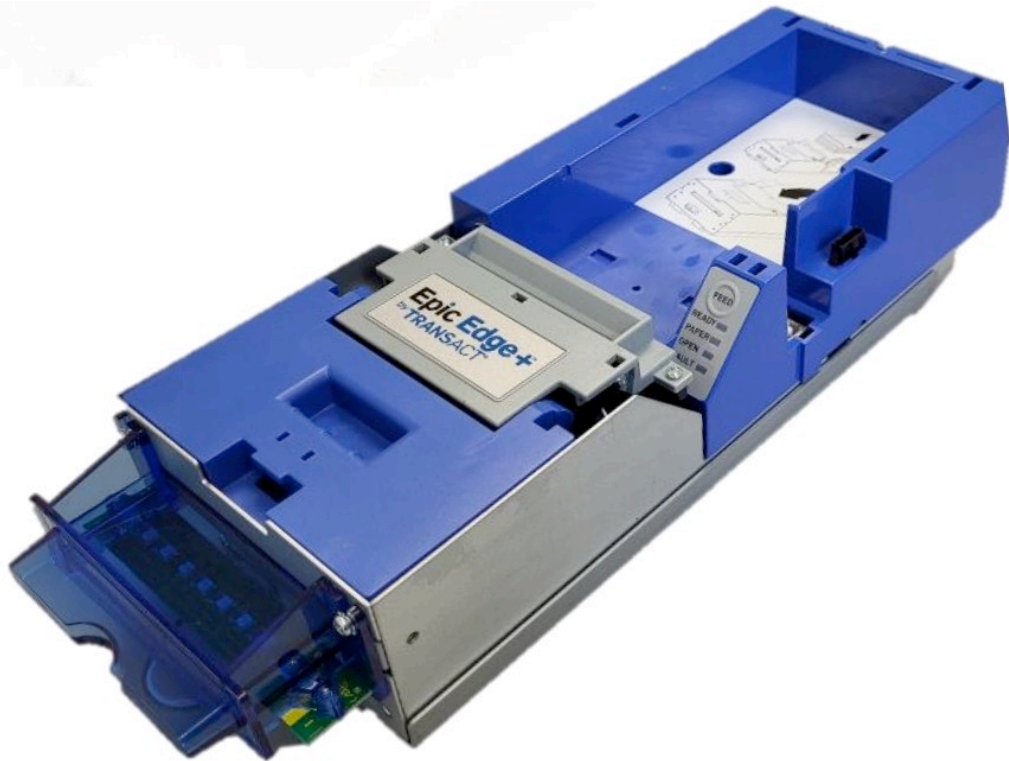


Epic EDGE+

Spare Parts Guide

P/N 200-20306



TRANSACT

Revision History

Version	Date	Summary of Changes	RFC
A	June 2025	Initial release	R951552

Contact Information

TransAct Technologies Incorporated
Ithaca Facility
20 Bomax Drive
Ithaca, NY 14850 USA

TransAct Technologies
World Gaming Headquarters
& Western Regional Repair Center
6700 Paradise Road
Suite D
Las Vegas, NV 89119 USA

Telephone: 877-748-4222
International: +1-607-257-8901
Main fax: 607-257-3911
Sales fax: 607.257.3868
Technical
Support fax: 607.257.3911
Web site: www.transact-tech.com

1 Parts Lists

1.1 EPIC EDGE+ PRINTER 95-19475

See Table 1 for the parts for 95-19475.

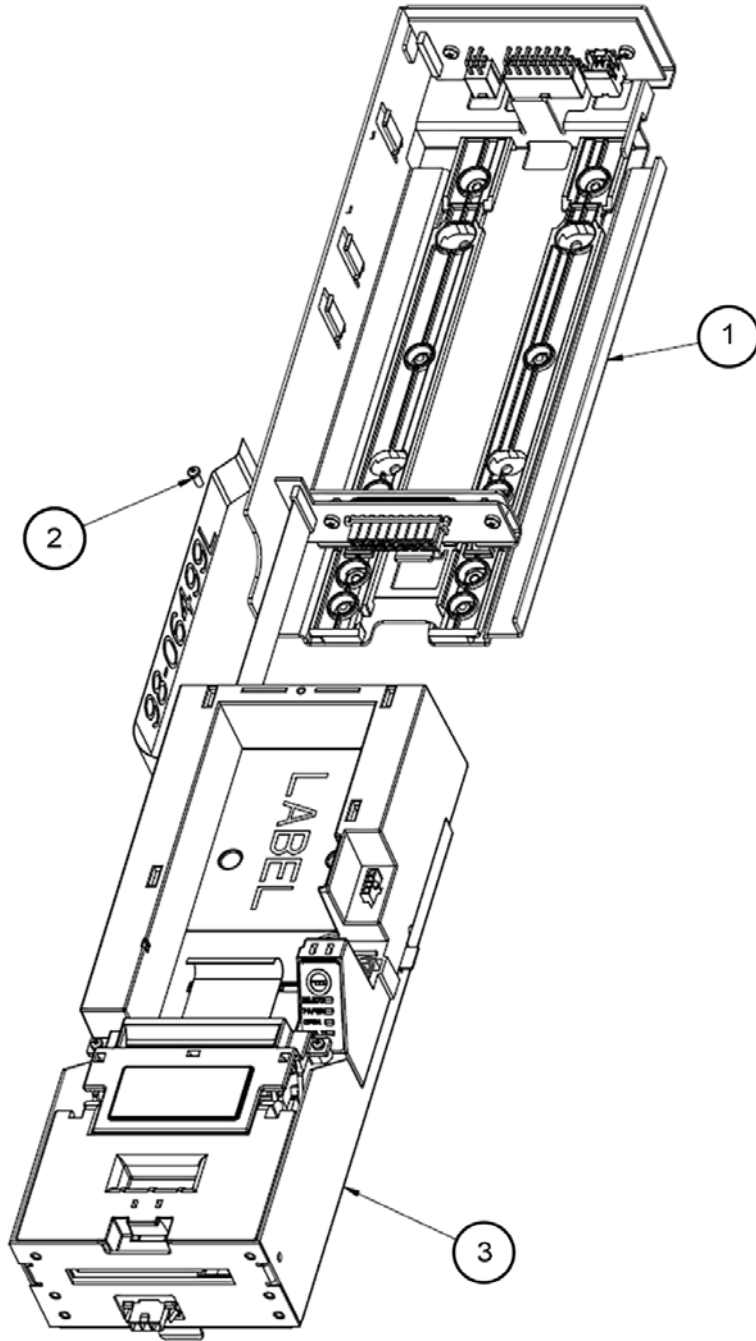


Figure 1 EPIC EDGE PRINTER 95-19475

Table 1 EPIC EDGE PRINTER 95-19475 PARTS LIST

ITEM	QTY	PART NUMBER	DESCRIPTION
1	1	95-15201	LOWER SLIDE ASSEMBLY (EDGE)
2	1	98-7608	SCREW-#4 PLASTIC THREAD FORMING
3	1	95-19471	UPPER SLIDE ASSEMBLY

1.2 LOWER SLIDE ASSEMBLY (EDGE) 95-15201

See Table 2 for the parts for 95-15201.

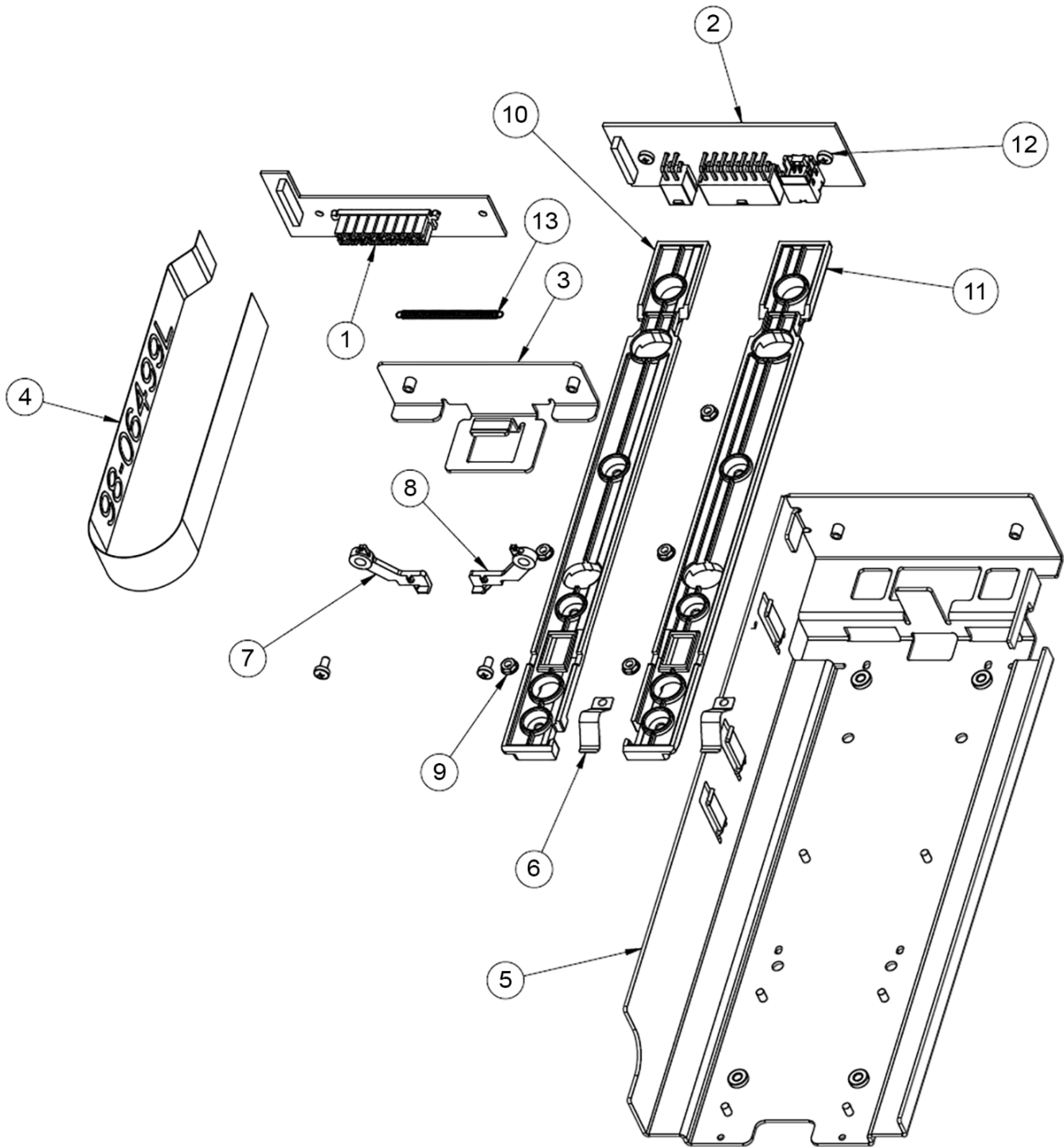


Figure 2 LOWER SLIDE ASSEMBLY (EDGE) 95-15201

Table 2 LOWER SLIDE ASSEMBLY (EDGE) 95-15201 PARTS LIST

ITEM	QTY	PART NUMBER	DESCRIPTION
1	1	95-14466L	ASSY-CONNECTOR BOARD (EPIC EDGE)
2	1	95-16984	ASSY-EDGE INTERFACE BOARD
3	1	18-09516	ASSY-INTERMEDIATE SLIDE
4	1	98-06499L	CABLE-FLEX 1 mm 20 CONDUCTOR
5	1	95-10890	CHASSIS-OUTER
6	2	95-04879	GROUND-EPIC 950 OUTER
7	1	18-09519	LATCH-SLIDER (LEFT)
8	1	18-09518	LATCH-SLIDER (RIGHT)
9	6	98-0621	NUT-M3 HEX W/LOCKWASHER
10	1	95-15191	RAIL-SLIDE (LEFT)
11	1	95-15190	RAIL-SLIDE (RIGHT)
12	4	98-0611	SCREW-M3 x 6 MM PHD PHPS
13	1	95-15196	SPRING-EXTENSION (L/R LATCH ARMS)

1.3 UPPER SLIDE ASSEMBLY 95-19471

See Table 3 for the parts for 95-19471.

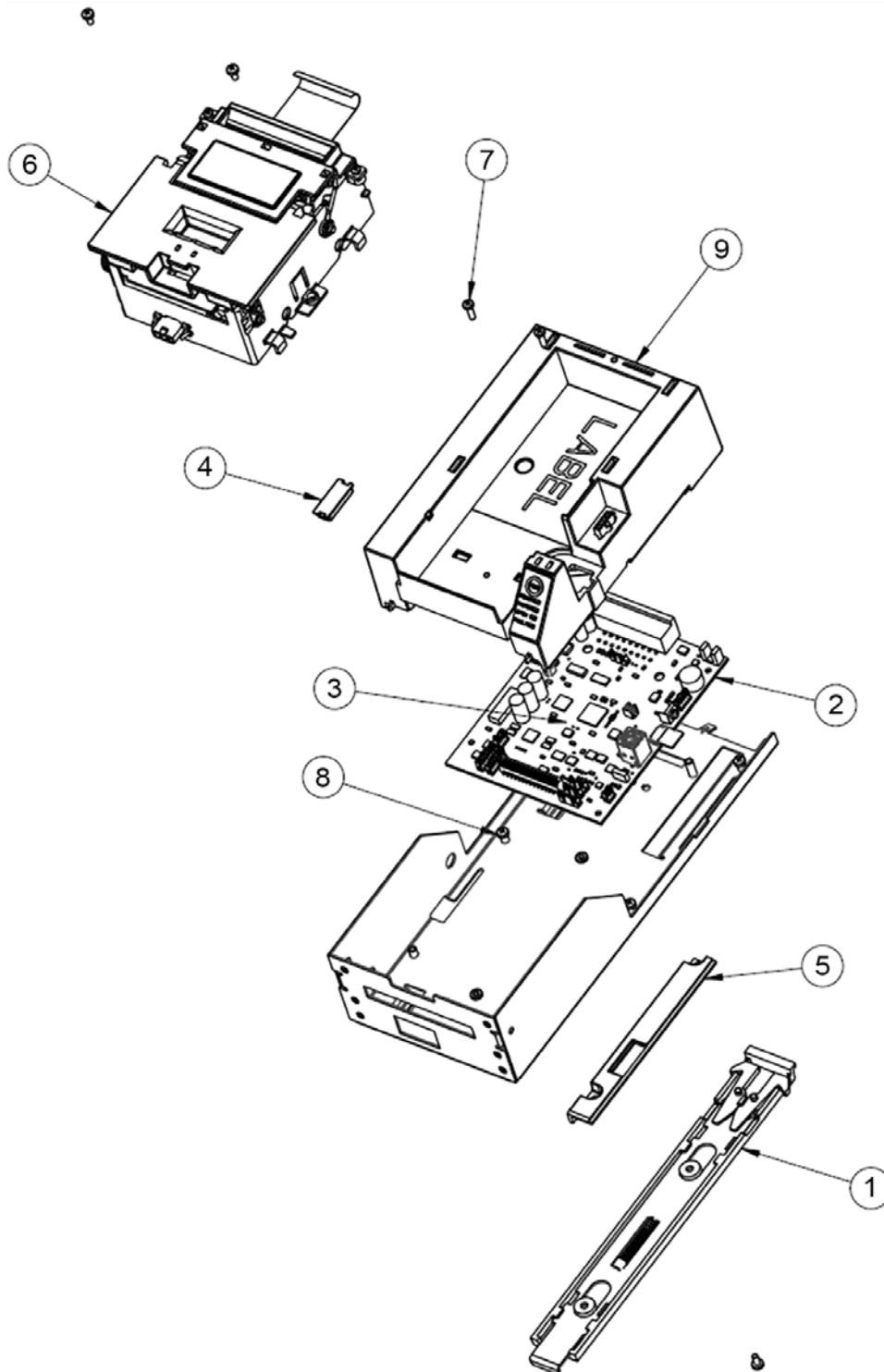


Figure 3 UPPER SLIDE ASSEMBLY 95-19471

Table 3 UPPER SLIDE ASSEMBLY 95-19471 PARTS LIST

ITEM	QTY	PART NUMBER	DESCRIPTION
1	1	95-15194	ASSEMBLY-RELEASE
2	1	95-18554	ASSY-EDGE CONTROL BOARD-RT1050
3	1	95-04885	CHASSIS-INNER
4	1	95-06695	COVER-DIP SWITCH
5	1	95-04863	COVER-EPIC 950 PCB
6	1	95-19472	PRINT MECH ASSEMBLY w/EDGE+ LABEL
7	2	98-2016	SCREW-M3x10MM PHD PHPS
8	8	98-0611	SCREW-M3x6MM PHD PHPS
9	1	95-19474	TICKET BUCKET ASSEMBLY

1.4 PRINT MECH ASSEMBLY w/EDGE+ LABEL 95-19472

See Table 4 for the parts for 95-19472.

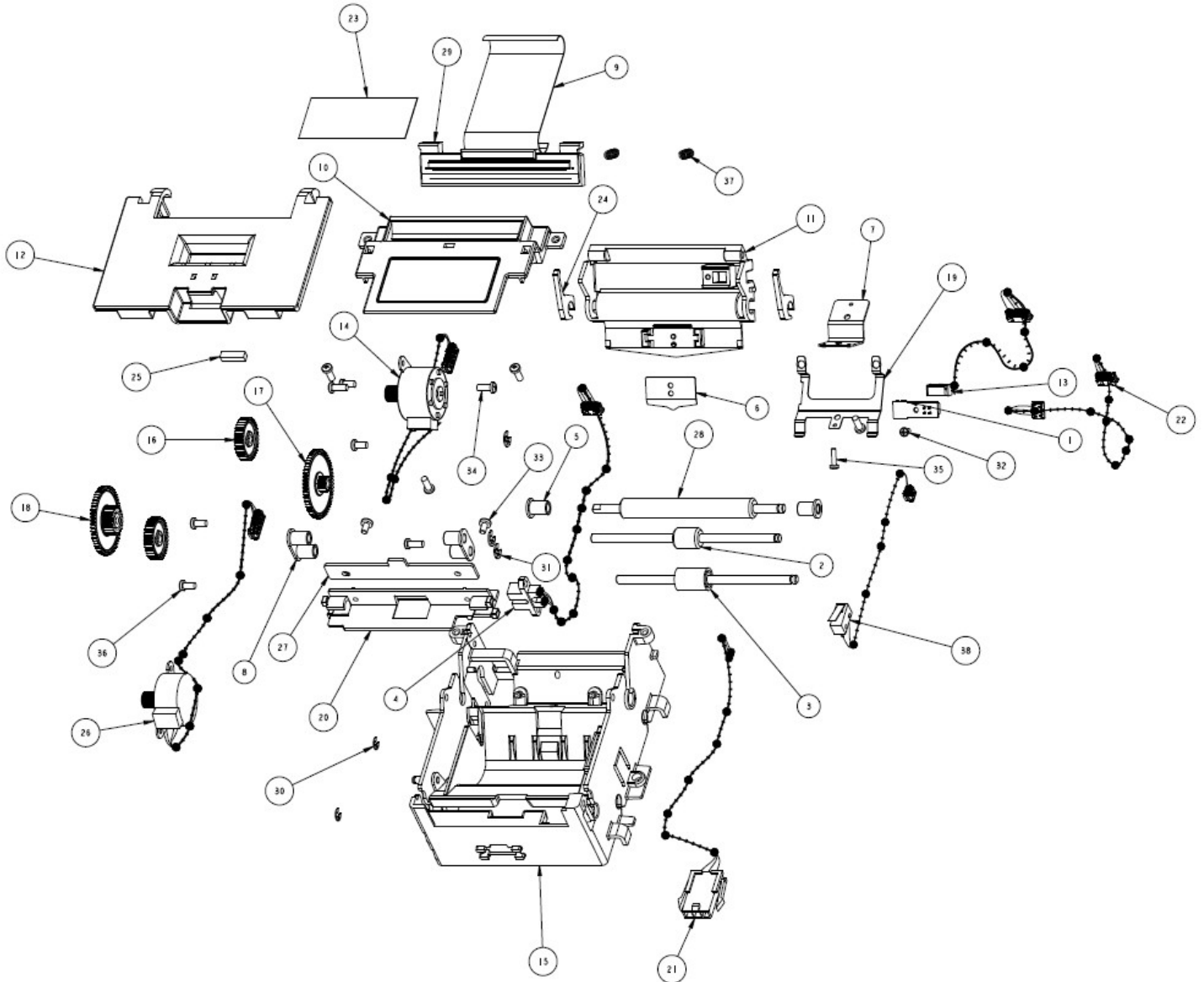


Figure 4 PRINT MECH ASSEMBLY w/EDGE+ LABEL 95-19472

Table 4 PRINT MECH ASSEMBLY w/EDGE+ LABEL 95-19472 PARTS LIST

ITEM	QTY	PART NUMBER	DESCRIPTION
1	1	95-18550	ASSY-TOP OF FORM SENSOR
2	1	95-04904	ASSY-EPIC 950 DRIVE SHAFT
3	1	95-04914	ASSY-EPIC 950 IDLER ROLLER
4	1	95-18571	TICKET TAKEN SENSOR ASSY
5	2	95-04963	BEARING-PLATEN
6	1	95-04972	BRACKET-BURSTER
7	1	95-19422	BRACKET-EPIC SENSOR (ALEPH)
8	2	95-17864	BUSHING-DOUBLE
9	1	28-04036L	CABLE-FLAT FLEXIBLE
10	1	95-15192	COVER-ENTRANCE
11	1	95-19352	COVER-PLATEN
12	1	95-05924	COVER-TICKET
13	1	95-19424	EDGE BURST SENSOR-ASSY (ALEPH)
14	1	95-14452L	FEED MOTOR-ASSY
15	1	95-14970	FRAME-ASSEMBLY
16	2	95-06326	GEAR-36 TOOTH
17	1	95-14943	GEAR-COMPOUND 12T-60T/48P
18	1	95-14953	GEAR-COMPOUND 24T-60T/48P
19	1	95-04985	GROUND-ESD
20	1	95-04965	GUIDE-EPIC 950 TICKET EXIT
21	1	95-05154L	HARNESS-M950 BEZEL
22	1	95-18573	HARNESS-TOF EDGE
23	1	95-19524	LABEL-EPIC EDGE+
24	2	95-05881	LEVER-PLATEN RELEASE
25	1	98-6473	MAGNET-BAR
26	1	98-04312	MOTOR-7.5 DEG 25MM STEPPER
27	1	95-04941	PLATE-EPIC 950 LATCH
28	1	95-04901	PLATEN-EPIC 950
29	1	95-14975	PRINTHEAD ASSEMBLY
30	2	520-9800002	RETAINER-E RING .125 DIA
31	3	520-9800003	RETAINER-E RING .156 DIA
32	1	98-09826	SCREW-#2 PLASTIC THREAD FORMING
33	2	98-04997	SCREW-#4 PLASTIC THREAD FORMING
34	7	98-7608	SCREW-#4 PLASTIC THREAD FORMING
35	1	M068306-01	SCREW-M2 X 8 PHD PHPS
36	4	98-04991	SCREW-M2.6x5.6MM SEMS PHILLIPS PHD
37	2	M068279-01	SPRING-PRINTHEAD COMPRESSION
38	1	95-05153	SWITCH ASSY-M950 (COVER)

1.5 TICKET BUCKET ASSEMBLY 95-19474

See Table 5 for the parts for 95-19474.

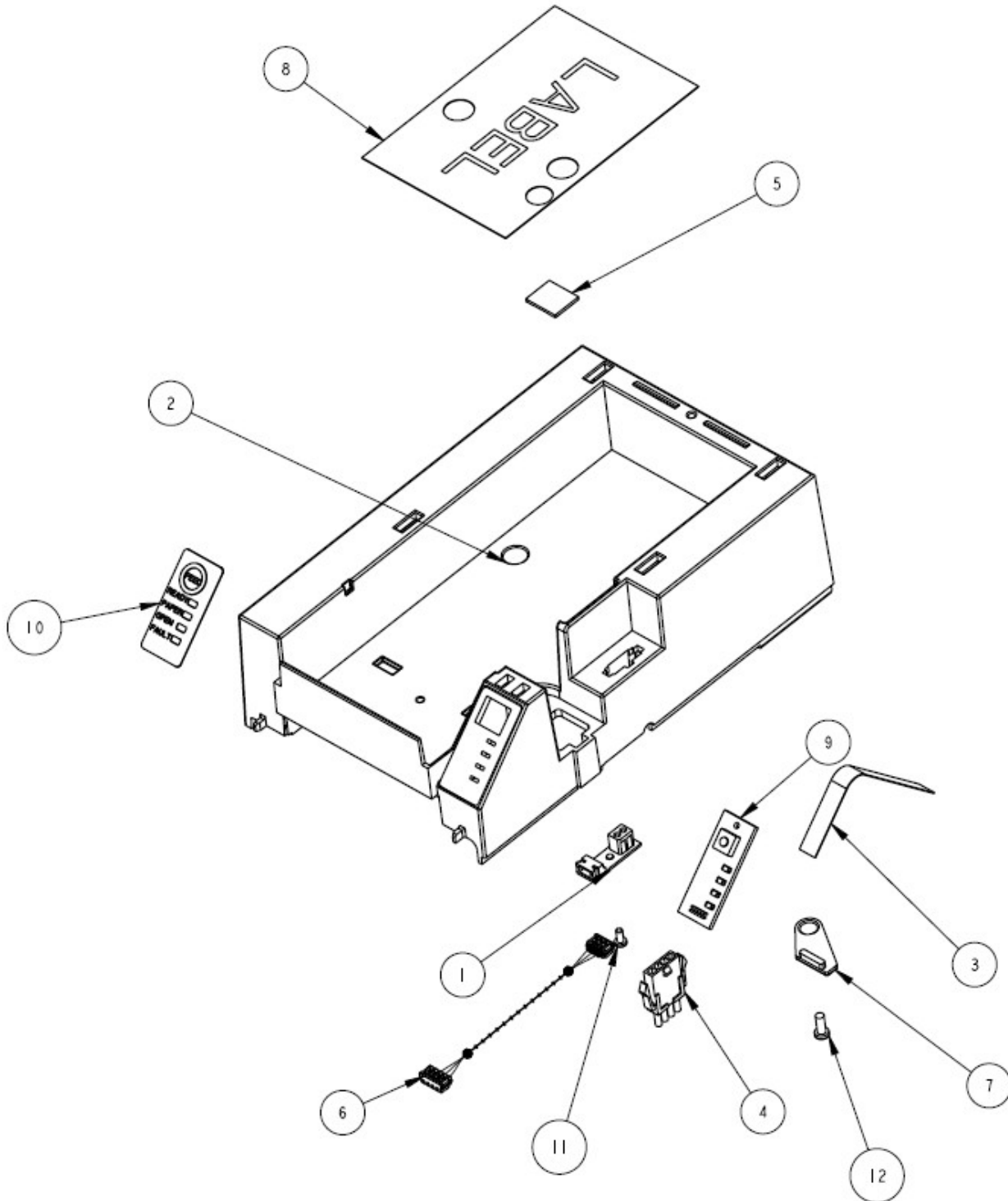


Figure 5 TICKET BUCKET ASSEMBLY 95-19474

Table 5 TICKET BUCKET ASSEMBLY 95-19474 PARTS LIST

ITEM	QTY	PART NUMBER	DESCRIPTION
1	1	95-18550	ASSY-TOP OF FORM SENSOR
2	1	95-19353	BUCKET-TICKET SUPPLY
3	1	98-05023L	CABLE-6 CONDUCTOR 1MM FLEX
4	1	95-14423L	CABLE-COUPON SERIAL PORT
5	1	95-14977	COVER-PAPER LOW SENSOR
6	1	95-18574	HARNESS-PLOW EDGE
7	1	95-06334	HOLDER-KEYPAD
8	1	95-15244	LABEL-PAPER LOAD
9	1	95-05015L	M950-KEYPAD PWA
10	1	95-04862	OVERLAY-EPIC 950 KEYPAD (SILVER)
11	1	98-09826	SCREW-#2 PLASTIC THREAD FORMING
12	1	98-7608	SCREW-#4 PLASTIC THREAD FORMING

2 Customer Support

Please contact TransAct Technical Support if you have any questions or require any additional information:

Visit www.transact-tech.com

Email us at support@transact-tech.com

Call:

USA: 1-877-748-4222

International: +1-607-257-8901

Monday–Friday 8am–8pm, Eastern Time